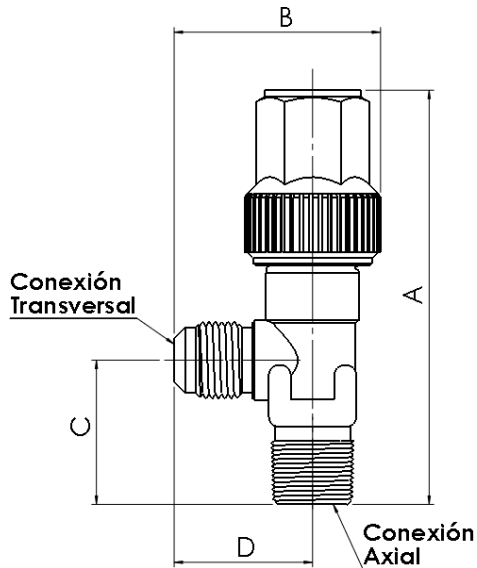


Robinete a 90°



Robinete fabricado en latón forjado en caliente, con vástago de acero tratado y empaquetadura especial para todo tipo de gases refrigerantes.

Denominación de Cuerpo	Conexión Axial	Conexión Transversal	Toma de Servicio	Código	A	B	C	D
					mm	mm	mm	mm
RI-3	1/8" NPT-M	1/4" FM		PFR001250	74	40	22	25.5
	1/4" NPT-M			PFR001251	76		22	
	1/4" FM			PFR001252	76		22	
	1/4" SH			PFR001253	74		21.5	
RH-4	1/4" NPT-M	5/16" FM		PFR001259	86	43	30	28
		3/8" FM		PFR001260				40
		1/4" NPT-H		PFR001315		38		
		1/4" FH		PFR001288				41
	3/8" NPT-M	1/8" NPT-M		PFR001257	42	27.3		
		1/4" NPT-M		PFR001258		41	28	
		1/4" FM		PFR001254			41	25.5
		3/8" FM		PFR001256		42		28
	1/4" FM	1/4" NPT-M		PFGRO3096	87	41	31	25.5
		1/4" NPT-M		PFGRO3097				
	3/8" FM	1/4" NPT-M		PFR001255	87	43	31	28
		5/16" FM		PFR001284				
3/8" FM								



Denominación de Cuerpo	Conexión Axial	Conexión Transversal	Toma de Servicio	Código	A	B	C	D
					mm	mm	mm	mm
RI-6	1/4" NPT-M	1/2" FM	1/4" Flare	PFR001262	97	50	30	33.5
	3/8" NPT-M	1/2" FM		PFR001261		50		
		5/8" FM		PFR001263		52		
	1/2" NPT-M	1/4" FM		PFR001306	99	45	32	31
		3/8" FM		PFR001264		48		32
		1/2" FM		PFR001265		50		33.5
		5/8" FM		PFR001266		52		35.5
		5/8" SH		PFR001267		50		34
		1/2" FM		PFR001316		72		33.5
		5/8" FM		PFR001304				35.5
RI-7	1/2" NPT-M	3/4" FM	1/4" Flare	PFR001268	128	61	44	43
		7/8" FM		PFR001269		62		44
	3/4" NPT-M	5/8" FM		PFR001270	131	60	45	42
		3/4" FM		PFR001271		61		43
		1/2" SH		PFR001274		61		42
		5/8" SH		PFR001275		61		42
		3/4" SH		PFR001276		62		43
		7/8" SH		PFR001301		63		44
		1" SH		PFR001277		64		45