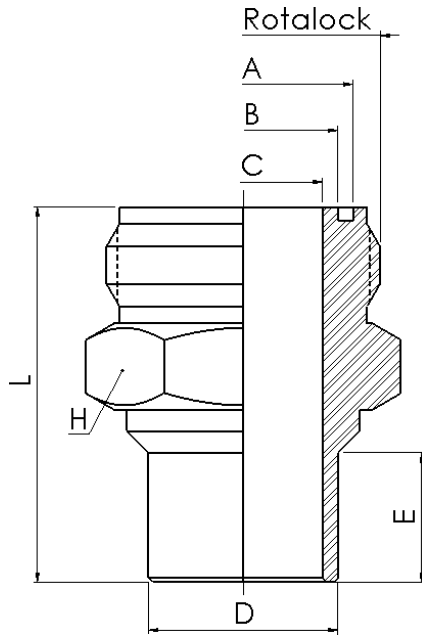


Conexión Spud para Rotalock

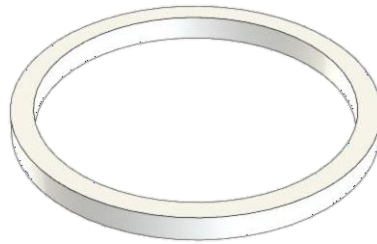
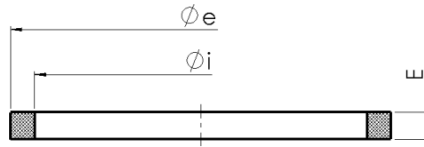


Conexión Spud para soldar



Rotalock	ODF Soldar	Código	A	B	C	D	E	L	H		
	pulg		mm	mm	mm	mm	mm	mm	pulg		
3/4" - 16 UNF	1/2"	PFVR01786	14.5	11	9	12.8	5.8	30.8	3/4"		
1" - 14 UNS	1/2"	PFVR01795	19.1	15.5	13	12.8	6.7	35	1"		
	5/8"	PFVR01785				15.8					
1-1/4" - 12 UNF	5/8"	PFVR01807	25.5	22	18.4	15.8	6.7	36	1-1/4"		
	3/4"	PFVR01794				19.1				8.3	38
	7/8"	PFVR01793				22.1				15	43.5
1-3/4" - 12 UN	1 1/8"	PFVR01792	38.2	34.5	31.5	28.4	15.5	58.5	1-3/4"		
	1 3/8"	PFVR01791				34.9					
2-1/4" - 12 UN	1 5/8"	PFVR01796	50.6	46.9	39.5	41.2	19	79.2	2-1/4"		
	2 1/8"	PFVR01799				54					

Arandela PTFE para Spud



Arandela PTFE para Spud

Rotalock	Código	Øi	Øe	E
		mm	mm	mm
3/4" - 16 UNF	PFVR01800	11.1	14.3	1.6
1" - 14 UNS	PFVR01801	15.9	19.1	
1-1/4" - 12 UNF	PFVR01802	22.2	25.4	
1-3/4" - 12 UN	PFVR01803	34.9	38.1	
2-1/4" - 12 UN	PFVR01805	47	50.5	