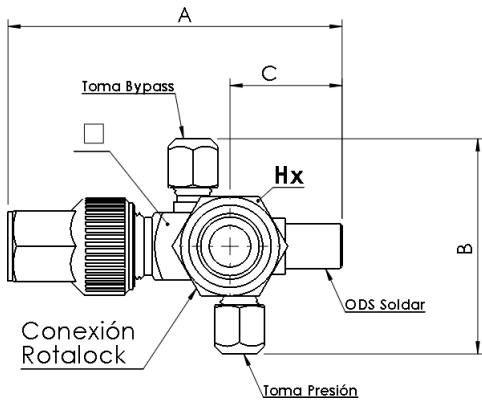
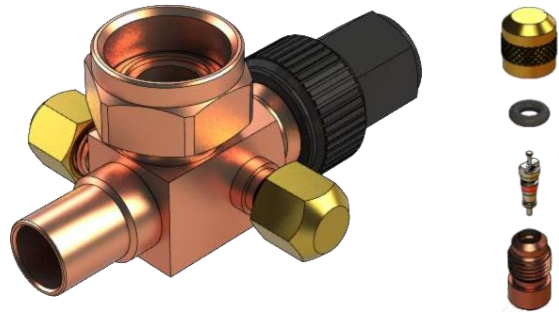


Válvula Rotalock con conexión ODS Soldar



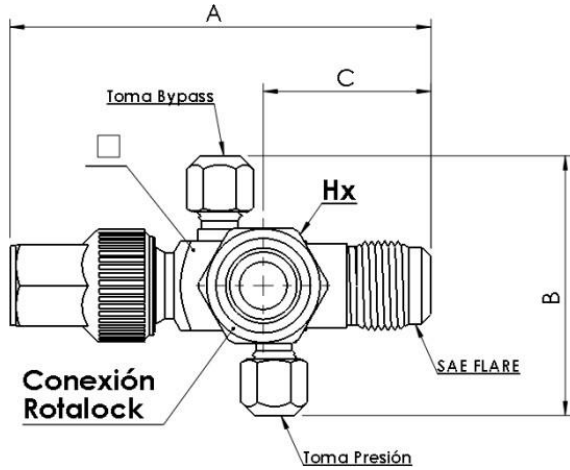
Conexión de salida ODS Soldar



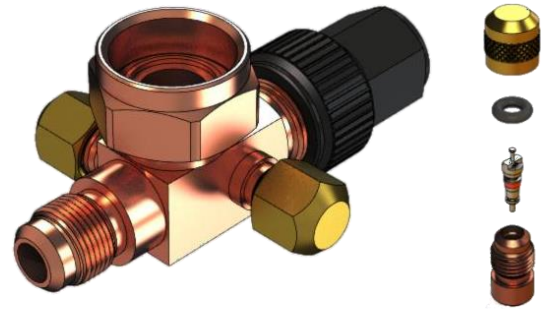
Toma de servicio Schrader a Pedido

□	Conexión Rotalock	ODS Soldar	Toma de Servicio	Código	A	B	C	Hx		
mm					mm	mm	mm	mm		
□19.05	3/4" - 16 UNF	1/4"	1/4" Flare x [2]	PFVR01720	97	63	34	22.22		
		5/16"		PFVR01722						
		3/8"		PFVR01724						
	1" - 14 UNF	1/4"		PFVR01721	97		34	28.57		
		5/16"		PFVR01723						
		3/8"		PFVR01725						
□22.22	3/4" - 16 UNF	1/2"		PFVR01727	103	65	40	22.22		
		5/8"		PFVR01730						
	1" - 14 UNF	1/2"		PFVR01728	103		40	28.57		
		5/8"		PFVR01731						
	□31.75	1-1/4" - 14 UNF		1/2"	PFVR01729		103	75	40	34.92
				5/8"	PFVR01732					
3/4"			PFVR01733							
1-3/4" - 12 UNF		7/8"	PFVR01735	144	42	50.80				
		1"	PFVR01737							
		3/4"	PFVR01734							
□35	1-1/4" - 14 UNF	7/8"	PFVR01736	144	79	52	34.92			
		1"	PFVR01738							
		1-1/8"	PFVR01739							
	1-3/4" - 12 UNF	1-3/8"	PFVR01743	174	56	50.80				
		1-1/2"	PFVR01741							
		1-1/8"	PFVR01740							
		1-3/8"	PFVR01744							
		1-1/2"	PFVR01742							
		1-5/8"	PFVR01749							
□50.80	2-1/4" - 12 UNF	1-5/8"	PFVR01746	181	95	67	65.00			

Válvula Rotalock con conexión SAE Flare



Conexión de salida SAE Flare



Toma de servicio Schrader a Pedido

□	Conexión Rotalock	SAE Flare	Tomas de Servicio	Código	A	B	C	Hx			
mm					mm	mm	mm	mm			
□19.05	3/4" - 16 UNF	1/4"	1/4" Flare x [2]	PFVR01700	97	63	34	22.22			
		5/16"		PFVR01702							
		3/8"		PFVR01704	100		36				
	1" - 14 UNF	1/4"		PFVR01701	97		34		28.57		
		5/16"		PFVR01703							
		3/8"		PFVR01705	100		36				
□22.22	3/4" - 16 UNF	1/2"		PFVR01707	105	65	40	22.22			
		5/8"		PFVR01710							
	1" - 14 UNF	1/2"		PFVR01708				105	65	40	28.57
		5/8"		PFVR01711							
	1-1/4" - 14 UNF	1/2"		PFVR01709				105	65	40	34.92
		5/8"		PFVR01712							
□31.75	1-1/4" - 14 UNF	3/4"	PFVR01713	154	75	54	34.92				
		7/8"	PFVR01715								
	1-3/4" - 12 UNF	3/4"	PFVR01714				154	75	54	50.80	
		7/8"	PFVR01716								